

VENICE

ELECTRIC UNVENTED WATER HEATER

external temperature regulator



Model shown
VWI010DHWU4 - Water Heater Basic Venice Compact 10 L Under Sink

□ □ □ TECHNICAL DATA

2 models available: top or bottom water inlets

Vitrified steel tank

ON/OFF Switch

External temperature regulator

Operation indicator light

Magnesium protective anode

CFC free PU insulation: 50mm thick

Exclusive thermal break system:
minimises heat loss

Safety thermostat

Maximum working pressure: 8 bar

Installation position: Vertical

Accessories available on page 134 - 137



VENICE

□ □ □ SPECIFICATIONS & PRICES

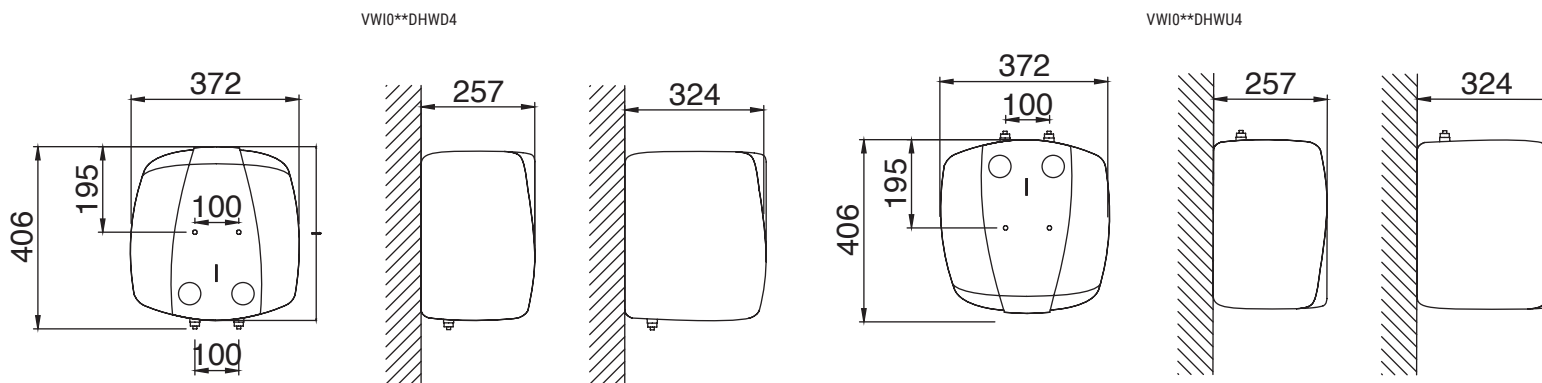
REFERENCE	WIDTH (MM)	HEIGHT (MM)	DEPTH (MM)	VOL. (L)	DISTANCE BETWEEN OUTLETS (MM)	NOMINAL POWER (W)	OUTLET TYPE	EMPTY WEIGHT (KG)	WEIGHT AT 100% CAPACITY (KG)	T.P £
VWIO10DHWD4	372	406	257	10	100	1,500	Bottom (Over Sink)	7.6	17.6	160
VWIO15DHWD4	372	406	324	15	100	1,500	Bottom (Over Sink)	9.4	24.4	175
VWIO10DHWU4	372	406	257	10	100	1,500	Top (Under Sink)	7.6	17.6	160
VWIO15DHWU4	372	406	324	15	100	1,500	Top (Under Sink)	9.4	24.4	175

□ □ □ OBSERVATIONS

CABLE LENGTH (M)	PLUG TYPE	INCLUDED	COMPATIBLE ACCESSORIES
1.5	BS 1363 (Type G)	Fixings & user manual	Thermostatic valve - RTVAL001 - £ 108 Installation Kit ¹ - KITKW04 - £ 191

¹ Mandatory installation kit required (sold separately). See page 134 - 135.

□ □ □ DIAGRAM



Dimensions in mm.