



BY HEATRAESADIA



DATA SHEET

# Megaflo Commercial Flexistor Cylinder 6 bar

The new Flexistor cylinders can be used in a whole host of applications - including installations requiring buffer vessels. This flexibility will also allow the specifier or installer to choose a new Flexistor unvented kit to match their requirements if necessary.

As well as bosses to accommodate immersion heaters if required, the all new Flexistor cylinders will be fitted with flow and return connections to facilitate various heat sources, such as a heat pump via a plate to plate heat exchanger.

For peace of mind the Megaflo Flexistor range is backed by a 30 year warranty.



max <b>290</b> l/min at 6 bar	max <b>90</b> kW	<b>8</b>	<b>100</b> mm
FLOW RATE	AUXILIARY HEAT SOURCE (1450-2500L)	CAPACITIES AVAILABLE	INSULATION



## FEATURES

- 400 to 2500 litre capacities
- 100mm high performance insulation
- Standard 6 bar operating pressure
- Up to 290 litres per minute hot water delivery
- Wide choice of auxiliary elements including combinations from 6 - 54kW
- 30 year inner cylinder warranty package
- Diverse installation flexibility

## BENEFITS

- Large range of capacities to suit most installation requirements
- Highly insulated for minimal heat loss
- Compatible with most system requirements
- Exceptional performance for even the most demanding applications
- Recovery is kept to a minimum with up to 90kW available on some models (check max loadings)
- Peace of mind and assurance
- Can be used in various applications including buffer type installations

# Megaflo Commercial Flexistor Cylinder 6 bar

## SPECIFICATIONS

PRODUCT CODE	7038353	7038354	7038355	7038356	7038357	7038358	7038359	7038360
Volume (litres)	400	500	800	1000	1250	1450	2000	2500
Height (mm)	1518	1820	1923	2318	1957	2273	2035	2440
Diameter (mm)	872	872	1024	1024	1224	1224	1470	1470
Weight (dry kg)	99	100	160	180	297	304	415	421
Weight (full kg)	499	600	960	1180	1547	1754	2415	2921
Insulation thickness (mm)	100	100	100	100	100	100	100	100
T&P tapping (inches)	1 ¼	1 ¼	1 ¼	1 ¼	1 ¼	1 ¼	1 ¼	1 ¼
T&P pressure setting (bar)	10	10	10	10	10	10	10	10
Pressure reducing valve (bar)	6	6	6	6	6	6	6	6
Pressure (expansion) relief setting (bar)	8	8	8	8	8	8	8	8
Maximum secondary working pressure (bar)	8	8	8	8	8	8	8	8
T&P temperature setting (°C)	90	90	90	90	90	90	90	90
Standing heat loss per day (kWh/24h)	1.72	2.14	2.74	3.33	3.6	3.9	4.3	4.5
Standing heat loss per year (kWh/year)	627	781	1000	1215	1314	1423	1569	1642
Global warming potential	3.1	3.1	3.1	3.1	3.1	3.1	3.1	3.1
Flow inlet (inches)	2	2	2	2	2	2	2	2
Return outlet (inches)	2	2	2	2	2	2	2	2
Cold water inlet (inches)	2	2	2	2	2	2	2	2
Hot water outlet (inches)	2	2	2	2	2	2	2	2
Electrical heater bosses inc blanks	2	2	2	2	2	2	2	2
Maximum auxiliary immersion rating (kW)	39	57	63	81	84	90	90	90
Auxiliary heat up times based on max immersion input (mins)	32	28	40	39	84	90	90	90
Cylinder material	Duplex	Duplex	Duplex	Duplex	Duplex	Duplex	Duplex	Duplex
Max Primary heat input - 140kW								

## ErP DATA

MODELS	400	500	800	1000	1250	1450	2000
Energy efficiency class	B	C	C	C	C	C	C
Standing loss (W)	72.0	89.0	114.0	139.0	150.0	163.0	179.0
Storage volume (litres)	400	500	800	1000	1250	1450	2000

Commercial 2,500 are not covered by ErP so there is no rating for this size cylinder

## EXPANSION VESSELS

MODELS	400	500	800	1000	1250	1450	2000	2500
Expansion vessel	60L	60L	100L	150L	150L	200L	300L	300L

## MAXIMUM AUXILIARY IMMERSION KW RATINGS

MODELS	400	500	800	1000	1250	1450	2000	2500
Lower boss	30	45	45	45	54	54	54	54
Upper boss	9	12	18	36	30	36	36	36
Total kW	39	57	63	81	84	90	90	90

## UNVENTED KITS SUPPLIED TO ORDER

PRODUCT CODE	7038498	7038498	7038499	7038500	7038501	7038502	7038503	7038503
Volume (litres)	400	500	800	1000	1250	1450	2000	2500

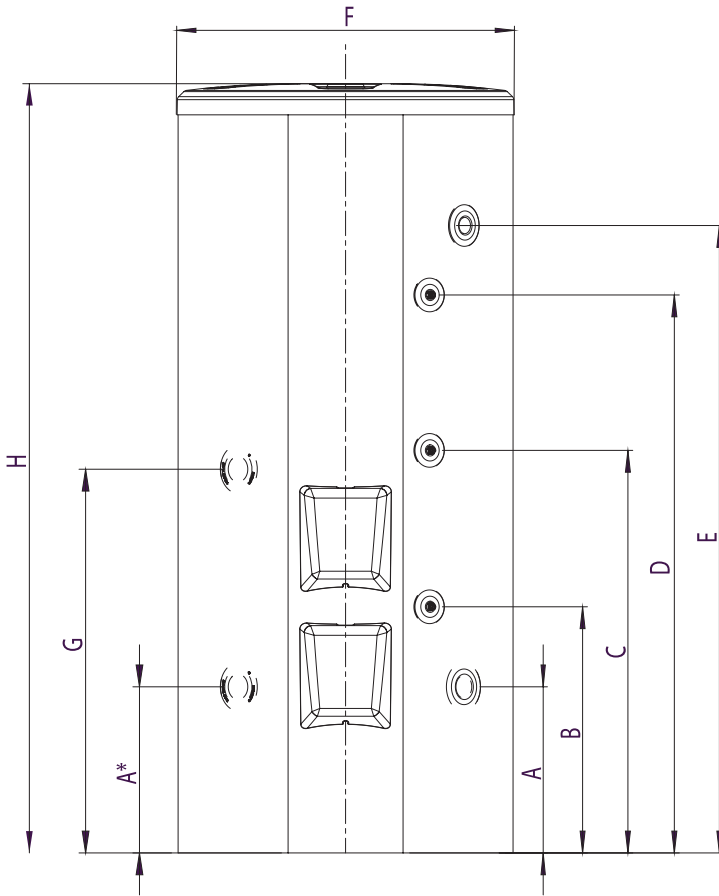
## AUXILIARY HEATING IMMERSION HEATERS SUPPLIED TO ORDER

PRODUCT CODE	95970155	95970156	95970144	95970145	95970146	95970147	95970148	95970149	95970150
	6kW	9kW	12kW	18kW	24kW	30kW	36kW	45kW	54kW

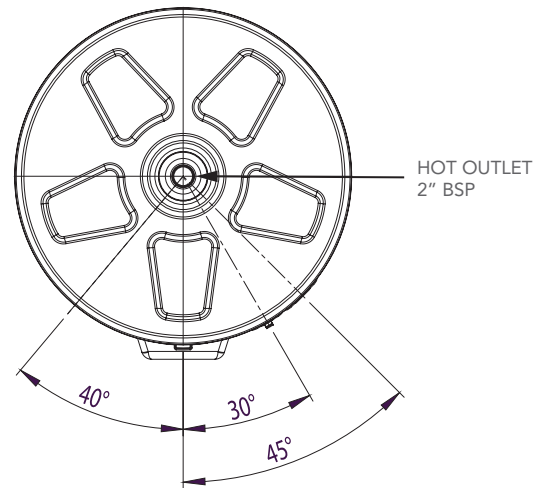
## DIMENSIONS

Model		400L	500L	800L	1000L	1250L	1450L	2000L	2500L
A cold inlet	2" BSP	471	471	502	502	541	541	591	591
A* secondary return	2" BSP	471	471	502	502	541	541	591	591
B sensor pocket	½" BSP	616	616	744	744	783	783	833	833
C sensor pocket	½" BSP	808	903	1009	1217	1054	1159	1104	1226
D sensor pocket	½" BSP	1001	1191	1263	1687	1326	1536	1376	1626
E T&P	1 ¼" BSP	1138	1416	1502	1897	1466	1721	1493	1886
F diameter	N/A	872	872	1024	1024	1224	1224	1470	1470
G secondary flow	2" BSP	754	754	880	880	1042	1042	1077	1077
H height	N/A	1535	1804	1906	2301	1936	2253	2014	2419

FRONT VIEW



PLAN VIEW



## ACCESSORIES

Description	Part number
De-Stratification loop kit - 400-500 litre	95970140
De-Stratification loop kit - 800-1450 litre	95970157
De-Stratification loop kit - 2000-2500 litre	95970158



BY **HEATRAESADIA**



DATA SHEET

# Megaflo Commercial Flexistor Cylinder 6 bar

## CODES OF PRACTICE/LEGISLATION

### EU Directives:

- Pressure Equipment Directive 97/23/EC.
- Low Voltage Directive (LVD) 2014/30/EU.
- RoHS (Restriction of certain Hazardous Substances) Directive 2011/65/EU.
- Electromagnetic Compatibility (EMC) Directive 2014/35/EU.

### Legislation:

- Water Supply (Water Fittings) Regulations (England and Wales).
- The Water Byelaws 2004 (Scotland).
- Water Supply (Water Fittings) Regulations (Northern Ireland).

### Standards:

- Relevant clauses of the following standards are complied with:
- EN 12897 – Specification for indirectly heated unvented cylinders.
- Safety-Particular requirements for storage water heaters:
- EN 60335-1 Household and similar electrical appliances. Safety. General requirements
- EN 60335-2-21 Safety. Particular requirements for storage water heaters
- The stainless steel materials used comply with the relevant clauses of:
- EN 10088 – Technical delivery conditions for sheet/plate and strip of corrosion resisting steels for general purposes.

### Components supplied comply with the following standards:

- BS EN 1490 Building Valves – Combined Temperature and Pressure Relief Valves.
- BS EN 1491 Building Valves – Expansion Valves.
- BS EN 1567 Building Valves – Water Pressure Reducing Valves and Combination Reducing Valves.
- BS EN 60730-1 Automatic Electrical Controls – For households and similar use. Part 1: General Requirements.
- BS EN 60730-2-8 Automatic Electrical Controls – Particular Requirements for Electrically Operated Water Valves.
- BS EN 13959 Anti-pollution Check Valves.
- BS EN 60730-2-9 Automatic electrical controls for household and similar use Particular requirements for temperature sensing control.

### Manufactured in a factory approved to:

- BS EN ISO 9001
- OHSAS 18001
- ISO 50001
- ISO 14001

### Megaflo Commercial Flexistor approvals:

- Nemko Certification Number P18222551



For more information  
01603 420220 | [enquiries@megaflo.com](mailto:enquiries@megaflo.com)  
**megaflo.com**



Please recycle this product once you have finished with it

Issue 2 2018

Megaflo, Hurricane Way, Norfolk, NR6 6EA

Megaflo may introduce modifications to their products from time to time. Consequentially the details given in this data sheet are subject to alteration without notice.

DEPT\_266018