

F617/F127

TRADITIONAL FRENCH ACTIVE HEAT CONVECTOR
WITH USER-FRIENDLY CONTROLS



+ PRODUCT

COMFORT

- Easy prog: 24h/7, program your device according to your life rhythm for greater comfort & savings (F127)
- Class II and IP 24 protection with dual electric insulation for ultimate safety
- Sheathed heating element with an aluminium diffuser
- Automatic overheating safety device

SAVINGS

- High-precision electronic thermostat
- Up to 25% energy savings* (F127)
- ErP-compliant

In order to be ErP-compliant/CE, F617 must be installed with a centralised weekly programming.

USER-FRIENDLINESS

- Easy to install: H-shaped vertical support, which can also be used as an installation template

F127:

- Ergonomic LCD digital controls
- 2 modes: Manual/Prog

F617:

- Mode-setting cursor and control knob
- 5 modes: Comfort, Eco, Anti-frost, Off, Programme

DESIGN

- Front air outlet wings
- Colour: White (RAL 9016)

ACTIVE HEAT CONVECTOR

500 TO 2000 W



Model available**



F617

F127

Controls



Energy savings



Technology



Heating element type

F617/F127



- 1 LCD digital controls
- 2 Air outlet
- 3 Overheating safety device
- 4 Sheathed heating element with aluminium diffuser
- 5 Room temperature sensor
- 6 Front panel
- 7 Anti-tilt system



- 1 Mode-setting cursor (Shutdown, Anti-frost, Programming, Eco, Comfort)
- 2 Temperature control knob
- 3 Heating light indicator



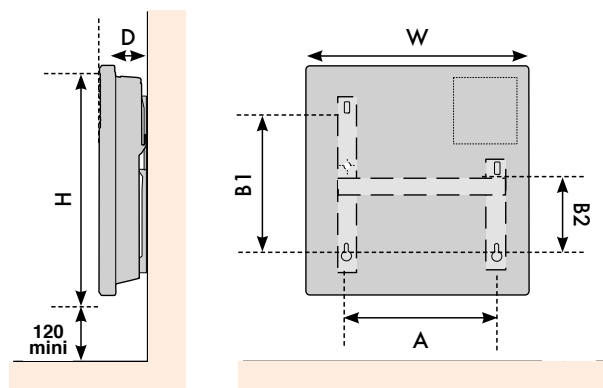
- 1 Temperature and active mode display (2 modes: Manual/Prog)
- 2 Navigation buttons
- 3 Access to menu/validation
- 4 Energy consumption indicator



EASY PROG (F127)

- **Manual mode:** Allows to set up the device at the desired temperature from Off to 30°C.
- **Prog mode:** Allows to set up to 3 periods of Comfort temperature by day (24h) over 7 days. Possibility to copy a daily programme on other days of the week.

INSTALLATION DIMENSIONS



TECHNICAL DATA F617/F127

OUTPUT (W)	DIMENSIONS (mm)						NET WEIGHT (Kg)
	WIDTH (W)	HEIGHT (H)	DEPTH (D)	A	B1	B2	
500	370	451	102	121	256	158	3.8
750	370	451	102	121	256	158	4
1000	447	451	102	195	256	158	4.2
1250	517	451	102	269	256	158	5
1500	590	451	102	343	256	158	5.5
2000	740	451	102	491	256	158	6.8

CE - Classe II - IP 24