



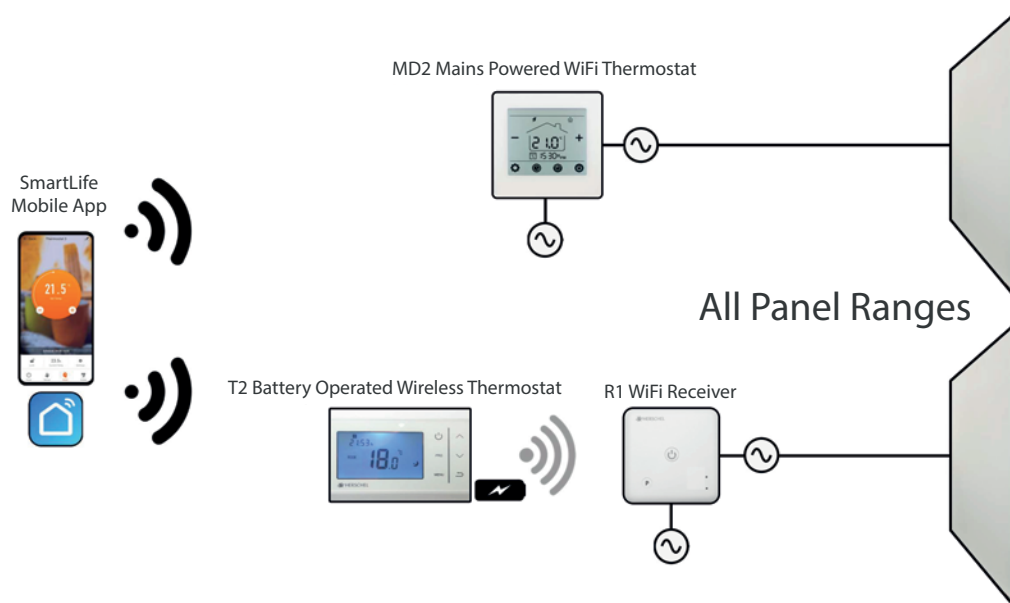
Herschel iQ thermostats enable control of your Herschel heaters straight from an App on your smartphone, from your local room thermostat or a combination of both.

We advise one controller per room to allow room by room temperature control. So if you have more than one panel in a room, you only need one controller per room. There are 2 options to choose from.

The **T2** Battery operated Thermostat provides a simple to use solution that is ideal for smaller installations or retrofit. This solution reduces the need for major disruption to walls/ceilings for cabling because the receiver (R2) can be located close to the heater and fused spur and the thermostat placed on a shelf or wall mounted.

T2 wirelessly pairs to any number of R2 receivers (additional R2 receivers are available separately). R2 receivers are wired to the mains and to heaters (up to 2kW of Herschel heaters on the same circuit).

The **MD2** Hard wired thermostat can be used standalone or can become App-enabled by downloading and using with the SmartLife App. Ideal for residential and commercial environments, the MD2 is particularly suited to new builds or renovations where cables can be neatly chased into the wall/ceiling. The MD2 is hard wired into the mains and hard wired to one or more Herschel heaters (up to 3.6kW of heaters on the same circuit).



	MD2	T2/R2
Power Type	Mains-wired	Battery/Mains-wired
Heater Connection	Wired	Wireless (T2 to R2), Wired (R2 to heater)
WiFi Option	✓*	✓*
Voice Control via Google Assistant & Alexa	✓	✓
Can control 1 or multiple heaters	✓ (up to 3.6kW) 16Amp	✓ (up to 2kW)
Heater Compatibility	All panel ranges	All panel ranges
Open Window technology	✓	✓
Adaptive Start		✓
Keypad Lock	✓	
Temperature Range	Up to 45°C	Up to 30°C
IP Rating	IP30	IP20
Warranty	24 months	24 months

* Via Smart Life App. Requires 2.4GHz Wi-Fi

Herschel thermostats have been specially developed for use with Herschel Infrared heaters only.

All Herschel controls ensure optimum comfort levels, maximum energy efficiency and full compliance with European Energy Saving legislation (Lot 20).