



# Installation and user manual

**Unisenza PLUS** - ZigBee 3.0 Gateway

EN



WiFi



Zigbee



Bluetooth



Ethernet



Release	Date
First release	November 2022



# Index

<b>1</b>	<b>Safety warnings</b> .....	<b>4</b>
	Pictograms used in this manual.....	4
	Purpose of the manual.....	4
	Intended use.....	4
	Safety regulations.....	5
<b>2</b>	<b>Technical data</b> .....	<b>6</b>
	Unisenza Plus Gateway .....	6
	Power supply unit .....	6
<b>3</b>	<b>Dimensions</b> .....	<b>7</b>
<b>4</b>	<b>Pack contents</b> .....	<b>7</b>
<b>5</b>	<b>Overview</b> .....	<b>8</b>
	Unisenza PLUS Gateway.....	8
	LED functions.....	8
<b>6</b>	<b>Download the APP for gateway management</b> .....	<b>9</b>
<b>7</b>	<b>Nameplate</b> .....	<b>9</b>
<b>8</b>	<b>Installation</b> .....	<b>10</b>
	Recommendations for a correct installation .....	10
	Wall installation.....	11
	Support installation.....	13
<b>9</b>	<b>Use</b> .....	<b>13</b>
	Register the Gateway to the Cloud.....	13
	Join Unisenza PLUS devices to the Gateway.....	16
	Unisenza PLUS devices identification .....	17
<b>10</b>	<b>Maintenance</b> .....	<b>18</b>
	Over-the-air (OTA) firmware update .....	18
	Power Cycle Reset.....	18
	Factory Reset.....	18
	Cleaning .....	19
<b>11</b>	<b>Manual download and updates</b> .....	<b>20</b>
<b>12</b>	<b>Disposal at the end of life</b> .....	<b>20</b>

# 1 SAFETY WARNINGS

## Pictograms used in this manual

To make reading clearer and more enjoyable, three types of symbols have been used in this manual to convey to the reader the meaning or importance of the information provided:



**Hazard signs.** Indicate prescriptions relating to present or possible dangers.



**Prohibition signs.** Indicate prescriptions relating to actions that must be avoided.



**Mandatory signs.** Indicate information that is important to read and comply with.

## Purpose of the manual

The purpose of this manual is to guide the qualified installer the installation, maintenance and proper and safe use of the equipment.



**For this reason, it is mandatory for all personnel involved in the installation, maintenance and use of the equipment to read this manual.**

**Contact the Manufacturer if any points are unclear or difficult to understand.**

This manual contains information regarding:

- Technical specifications of the equipment;
- Installation and connection instructions.

## Intended use

The **Unisenza PLUS Gateway** is an ideal solution for connecting **multiple devices** to the cloud through an Internet router with **WiFi or Ethernet cable connection**. It is **ZigBee 3.0** and connects up to 100 end devices such as smart room thermostats, radiator valve controllers (TRV), relaybox/receiver, and sensors, etc.

Its features are:

- ZigBee 3.0
- BLE (Bluetooth Low Energy) wifi provisioning
- 802.11 b/g/n WiFi connection
- 10/100Mbps Ethernet connection

- Over the air firmware update capability
- Powered by 5VDC thru Micro-USB port
- Wall mountable (with the wall mount bracket)

### Safety regulations

Before proceeding with any installation or use, it is necessary to thoroughly inspect the product. Make sure that all the information contained in this manual correspond exactly to the purchased equipment. In the event that differences are identified, it is necessary to contact the Manufacturer in order to obtain the assistance and specific technical information necessary to operate.



Read this manual carefully before the installation, use and maintenance of the product and keep it for any further future consultation by the various operators.



All installation, assembly, electrical connections to the mains and ordinary/extraordinary maintenance must be performed **only by qualified personnel or technicians complying with the legal requirements.**

Installation, use or maintenance other than those specified in the manual may cause damage, injury or death, invalidate the warranty and relieve the Manufacturer of all liability.

Disconnect the equipment from the mains before installing or maintaining it.

Do not install the equipment outdoors. The product has been designed to be installed indoors, protected from bad weather, in places where the temperature is between 0 and +50 °C.

At the end of the installation it is necessary to instruct the user in the correct use of the equipment.

## 2 TECHNICAL DATA

### Unisenza Plus Gateway

Wireless Communication	WiFi : 802.11 b/g/n
	ZigBee 3.0, 2.4GHz
	Bluetooth v4.2 BR/EDR and BLE (for provisioning only)
Wired Communication	10/100Mbps Ethernet connection
Power Supply	5 VDC from micro USB port
Power Consumption	Max. 3W
Operating Environment	Indoor, residential & commercial
Operating Temperature	0°C – 50°C
Relative humidity	5-95% RH non-condensing
Storage Temperature	-10°C – 60°C
Size (mm)	93(W) x 98.4(D) x 24(H) mm
Ingress Protection Rating	IP30
Regulation	CE, UKCA
Environmental Requirement	RoHS compliance

### Power supply unit

Input voltage	100-240V - 50/60Hz Max 300 mA
Output voltage	5.0Vdc 0,85A 4,25W

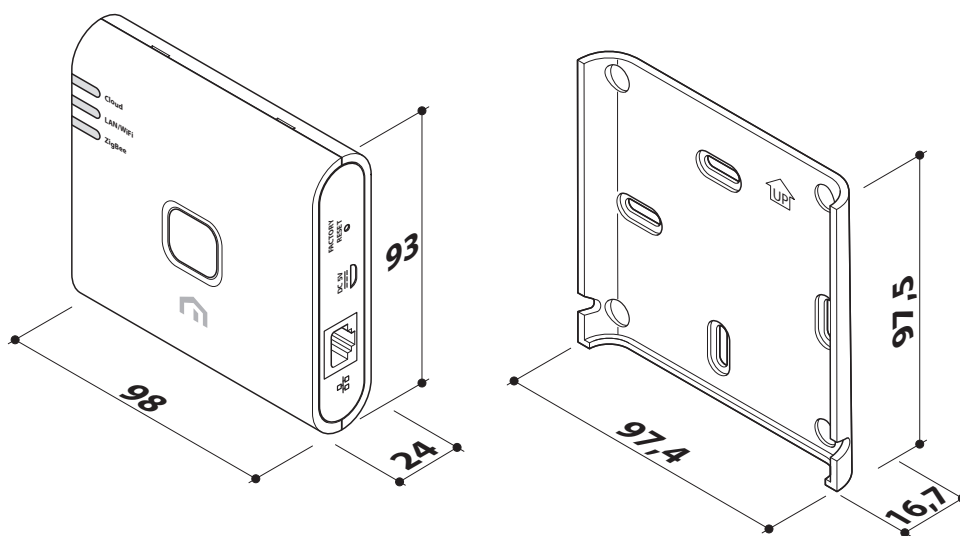
The **Unisenza Plus Gateway** complies with the following European directives:

- RED directive 2014/53/EU
- ROHS directive 2011/65/EU
- REACH (EC 1907/2006)

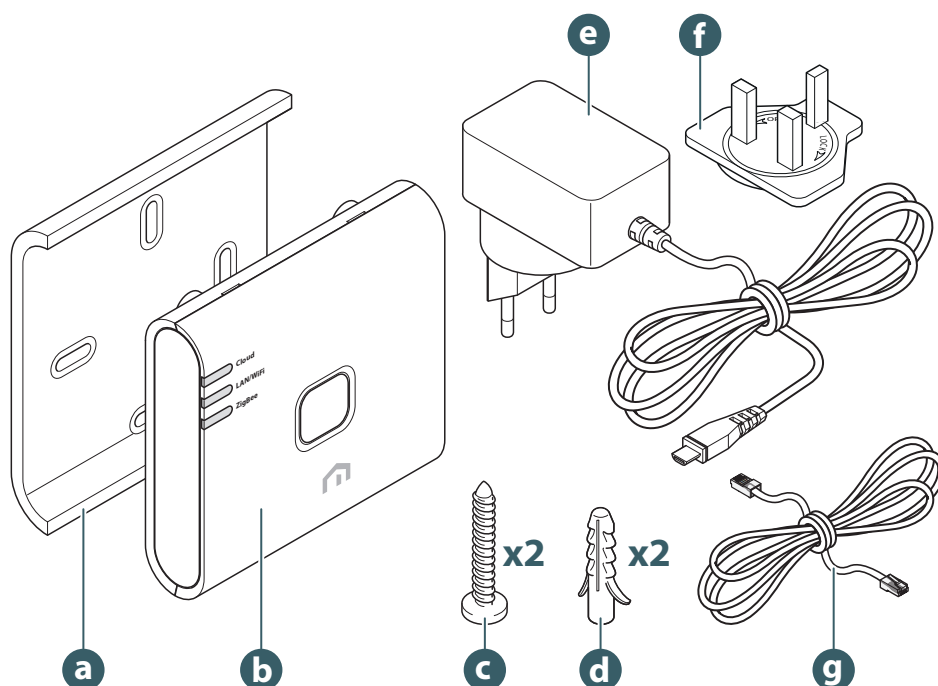
The **Unisenza Plus Gateway** complies with the relevant UK Statutory Instruments:

- Electrical Equipment (Safety) Regulations 2016
- Restriction of the Use of Certain Hazardous Substances in Electrical and Electronic Equipment Regulations 2012 (SI 2012/3032)
- REACH ETC. (Amendment etc.) Regulations 2020 - SVHC

### 3 DIMENSIONS



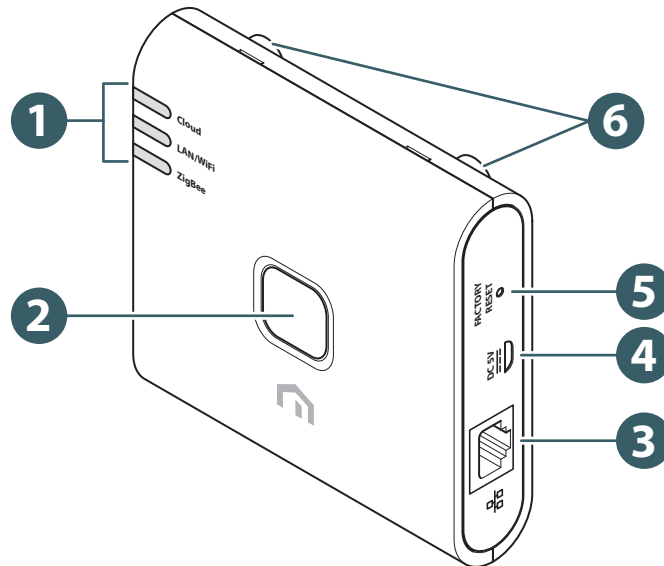
### 4 PACK CONTENTS



- a. Wall mount bracket
- b. Unisenza PLUS Gateway
- c. Plate fixing screw
- d. Fixing wall plug for plate fixing
- e. Gateway Power supply unit
- f. Plug adapter
- g. Ethernet RJ-45 cable

## 5 OVERVIEW

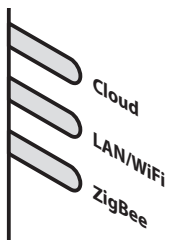
### Unisenza PLUS Gateway



1. Communication Status LED
2. Top Button
3. RJ-45 port for Ethernet connection
4. Micro-USB power port\*
5. Factory reset

(\* Use only the adaptor included with this product.

### LED functions



LED	Status	Description
Cloud	Green	Gateway is connected to the cloud.
	Orange	Gateway has lost connection to the cloud.
LAN/WiFi	Green	Gateway is connected to the local network via Ethernet cable or WiFi.
	Red	Local network connection is not established.
ZigBee	Green	Normal status.
	Green Flash	Identifying the joined ZigBee devices.
	Orange	Ready for ZigBee devices to join the gateway.
	Orange Flash	Reach the max. number of ZigBee devices.



If Ethernet cable is connected but LAN/WiFi LED is Red, please check your cable connection or router setting.



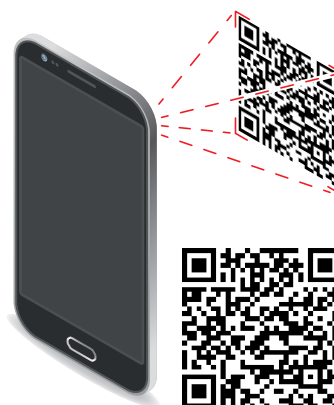
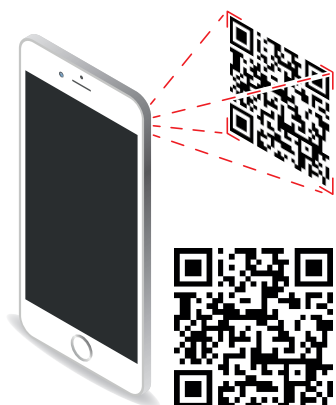
## 6 DOWNLOAD THE APP FOR GATEWAY MANAGEMENT



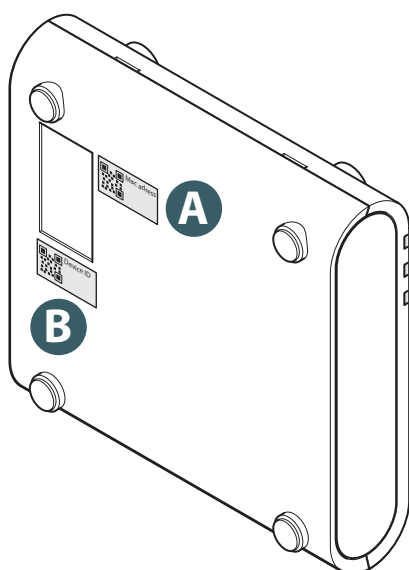
The management of the **Unisenza PLUS Gateway** is also possible through a dedicated APP that allows its configuration, connection to your home internet network and the management of the devices you will pair.

In order to download the **APP**, you need to connect to the **STORE** of your device used for configuration and install the **Unisenza Plus**.

Or, again using the device, you can directly access the installation page using the following **QR codes**, again depending on the operating system.



## 7 NAMEPLATE

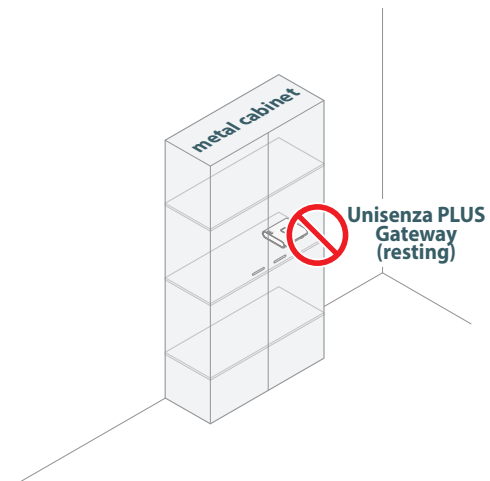
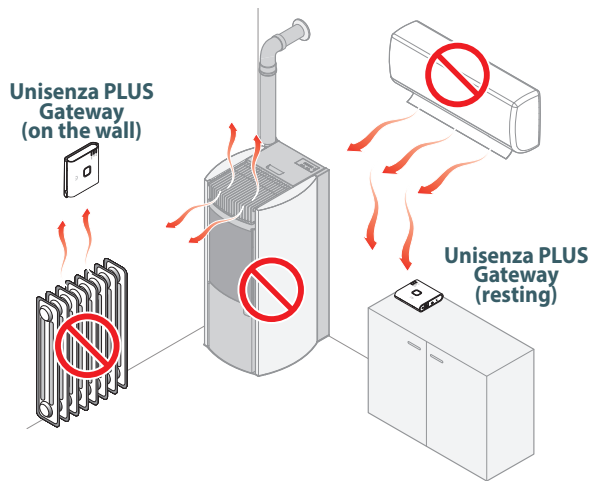
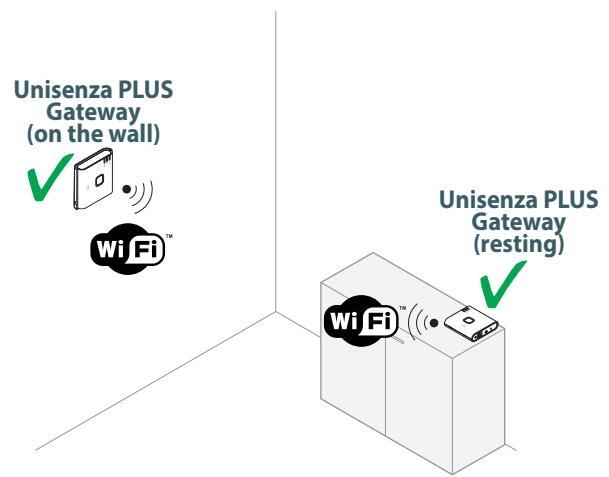
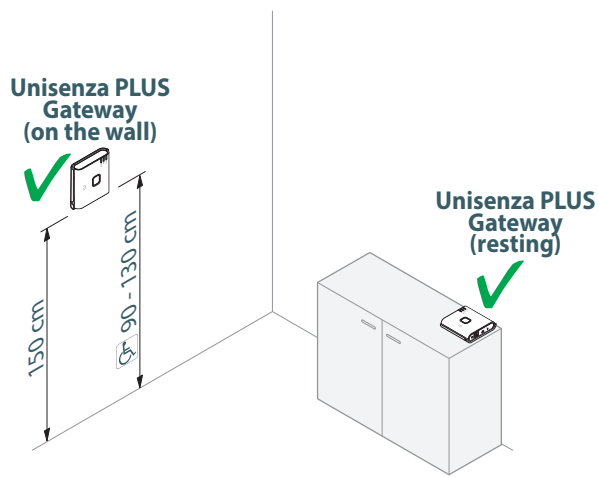
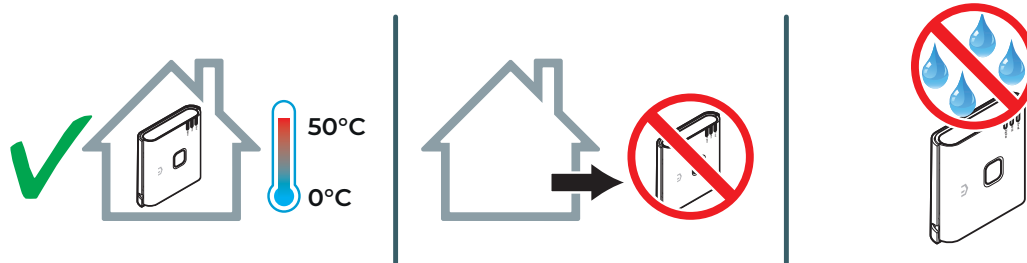


On the back side of the **Gateway** there are two labels, one indicates the Mac Address (A) of the device with its **QR code** next to it and one the Device ID (B) also with the relative **QR code** next to it.

You will have to use the **A** label when you want to pair the Gateway to your device for the management through the **APP**.

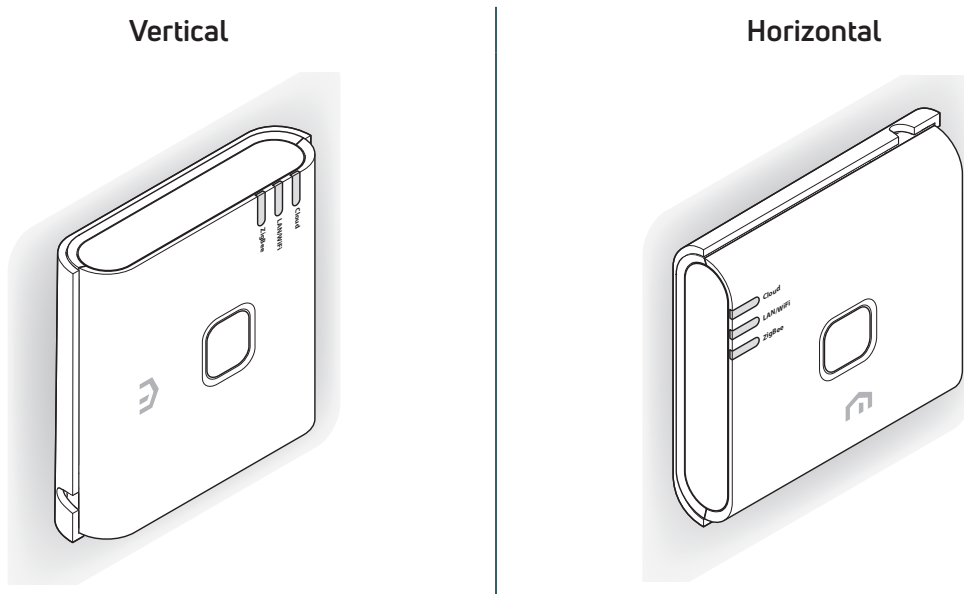
# 8 INSTALLATION

## Recommendations for a correct installation

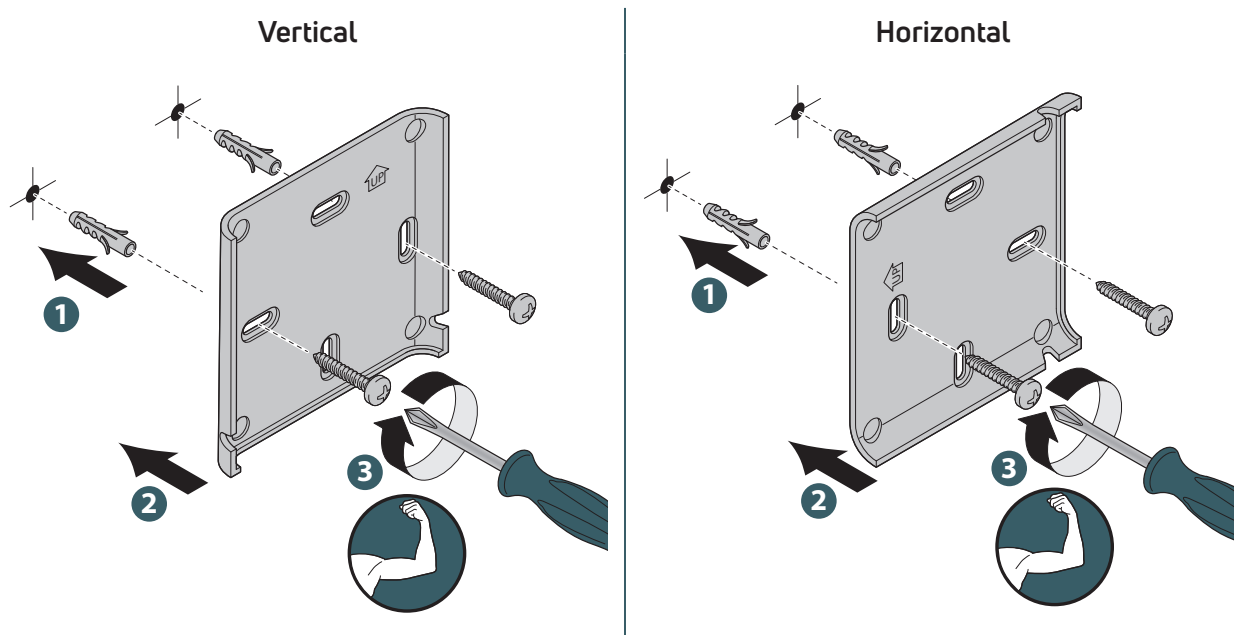


## Wall installation

With the use of the plate for wall installation it will be possible to position the Unisenza PLUS Gateway in two different ways:

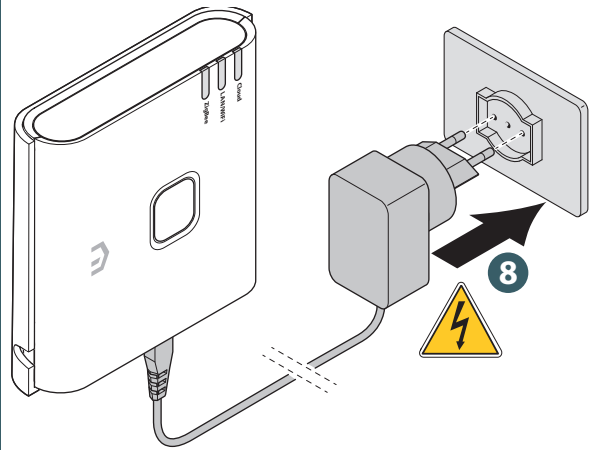
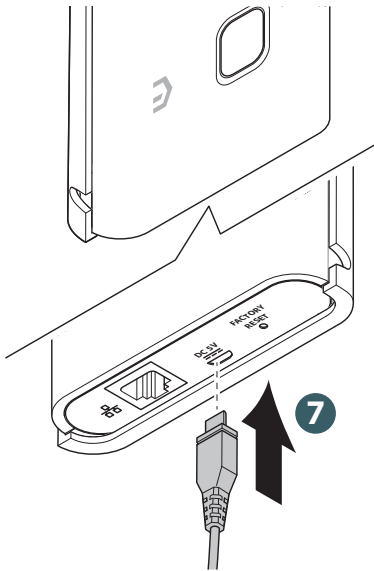
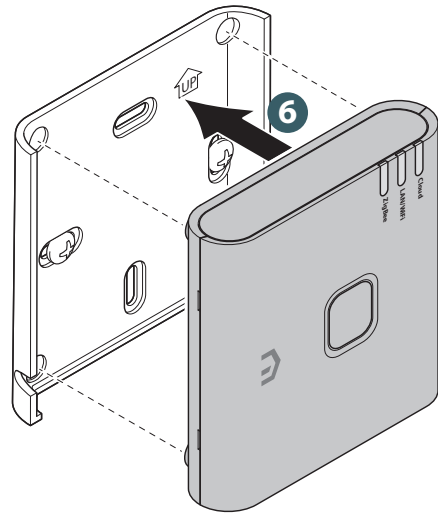
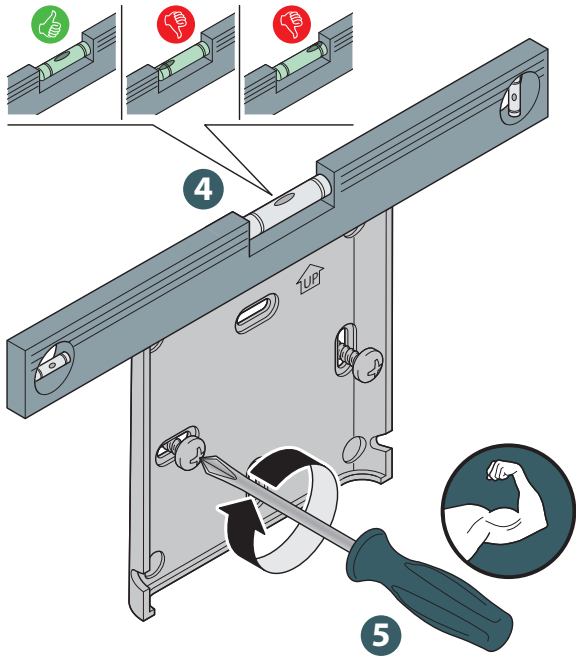


Fix the plate to the wall according to how you want to position the Gateway.

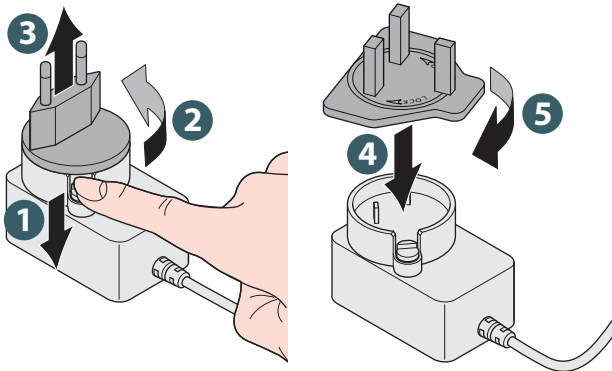


For convenience we will continue to illustrate the vertical wall installation of the Gateway; the operations for the horizontal one are the same, but considering the Gateway rotated.

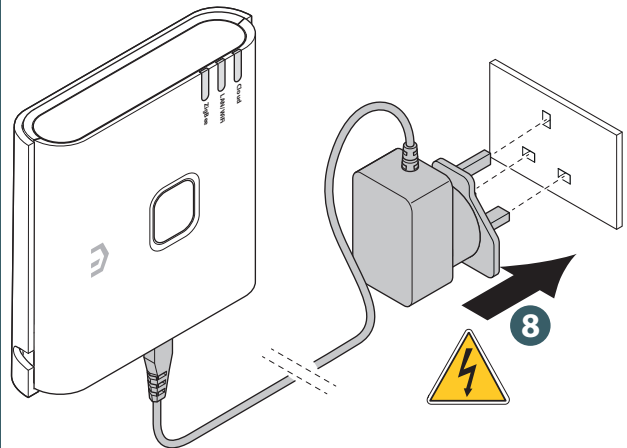
EN



Only for UK

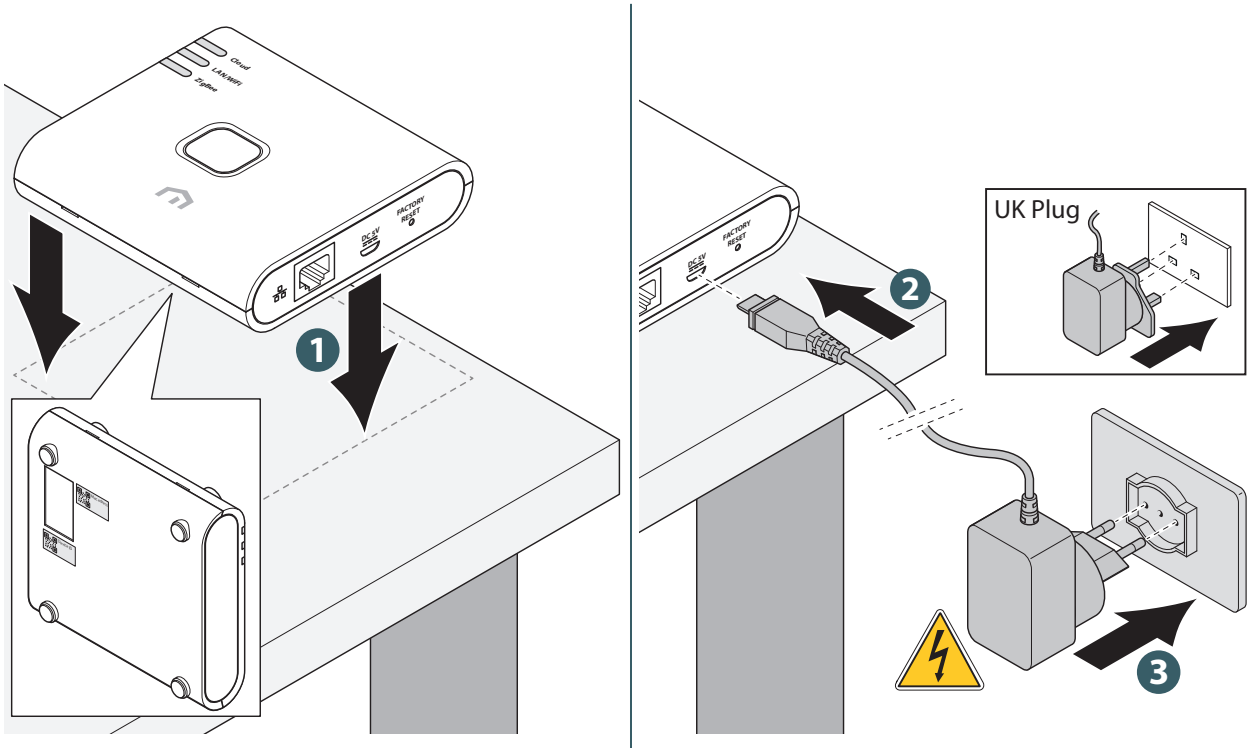


Only for UK



## Support installation

Thanks to the four rubber feet on the back side, it is possible to place the **Unisenza PLUS Gateway** on a furniture piece, table or desk.

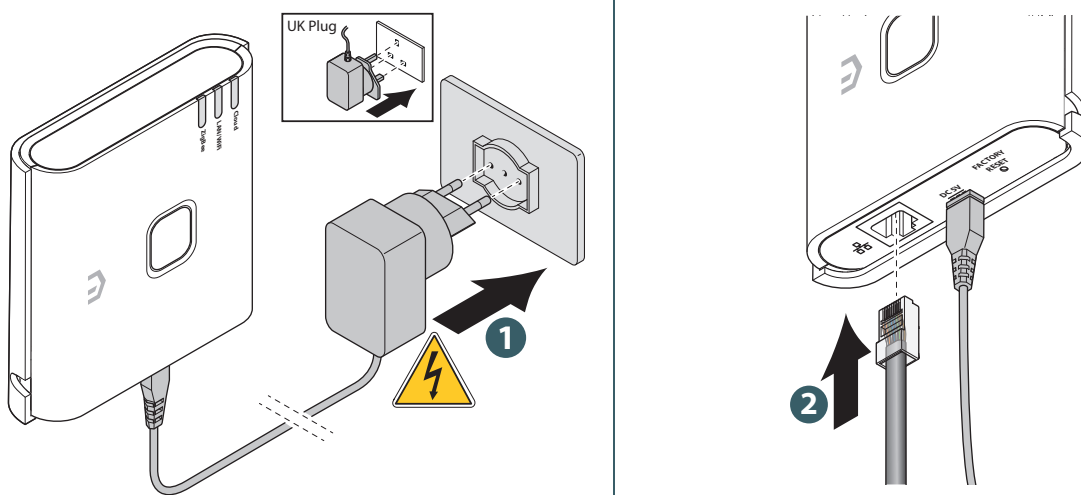


## 9 USE

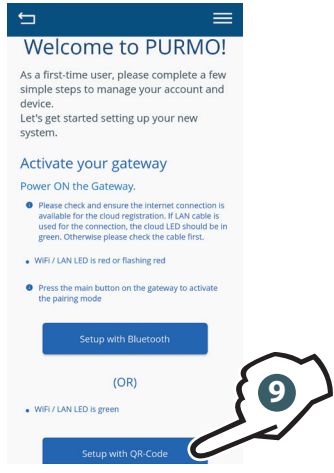
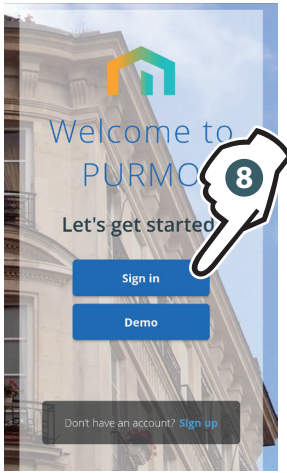
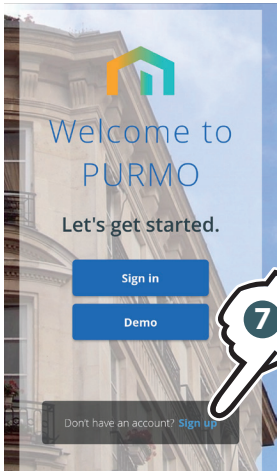
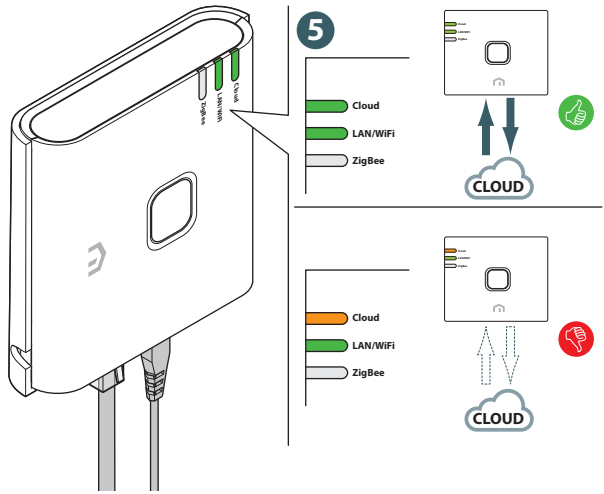
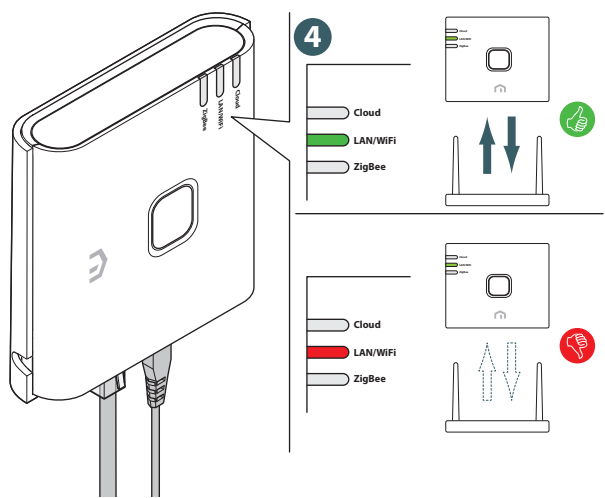
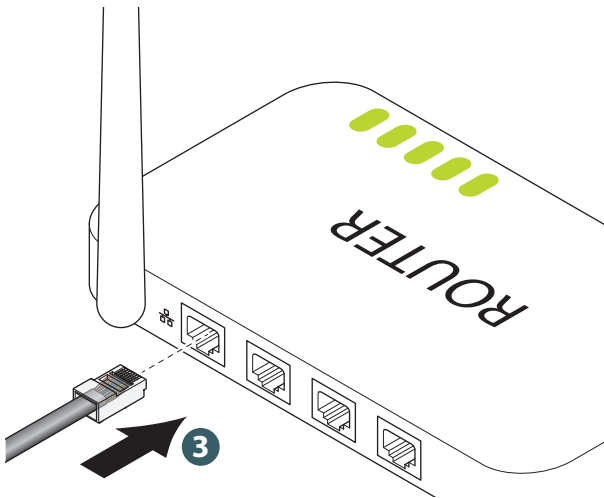
### Register the Gateway to the Cloud

The **Gateway** can be connected to your router by either **Ethernet (LAN)** or by **WiFi**. It will use Ethernet to connect to the cloud when both Ethernet and WiFi connections are available.

#### By Ethernet (LAN)

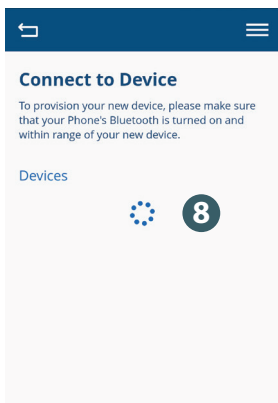
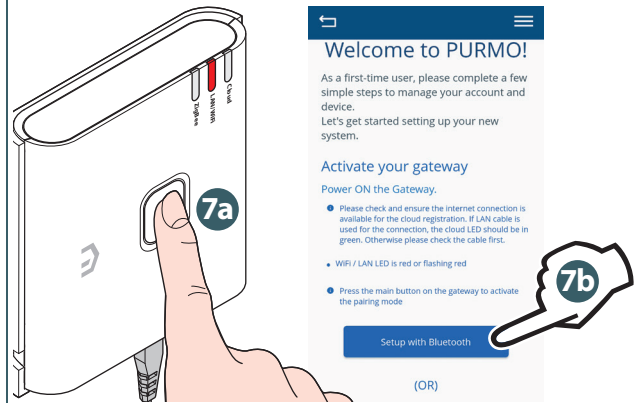
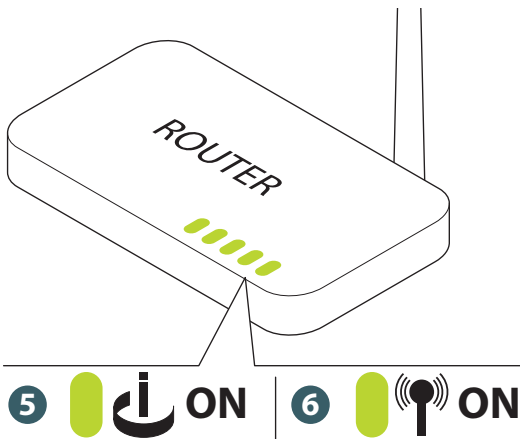
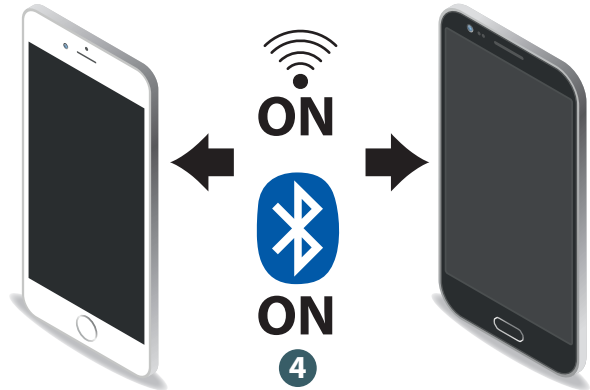
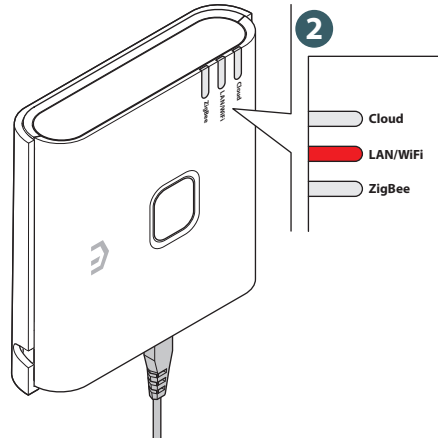
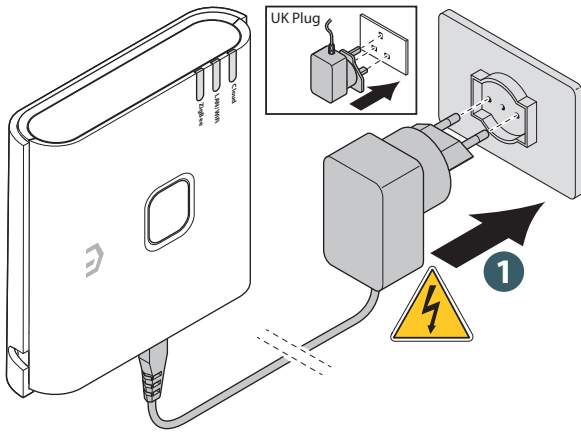


EN

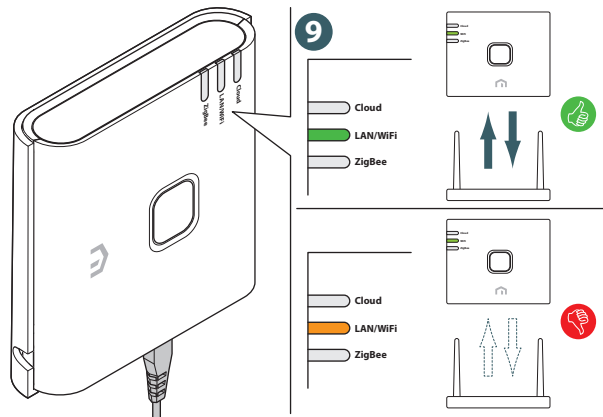


If you choose to connect the Gateway using a QR code, frame the label of the Mac Address on the back side of the device.

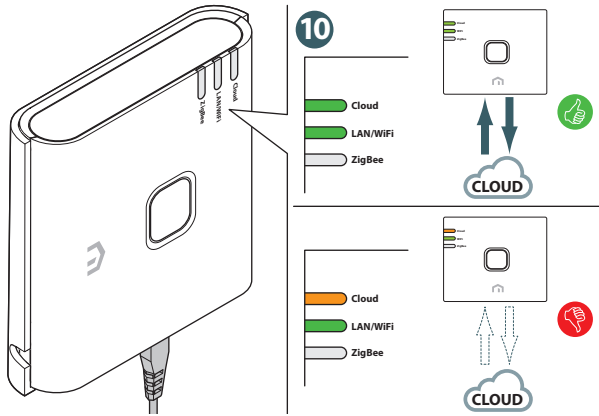
By WiFi



Select your Gateway and follow the instructions to complete the pairing.



EN

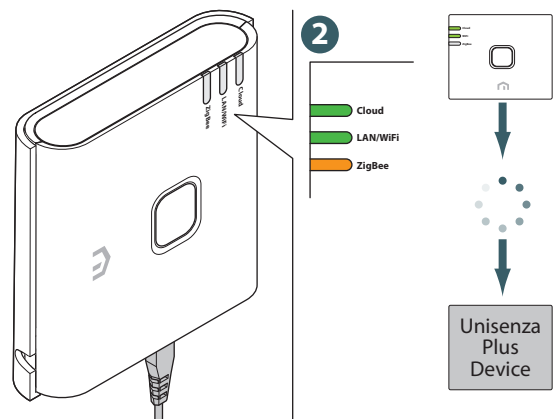
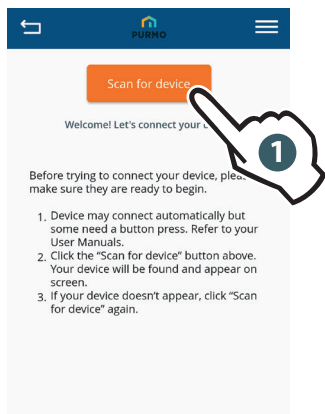


Continue to follow the instructions to register the **Gateway**.

If for any reason the original Wi-Fi network is not available or the password has been changed, use the **"Add New Gateway"** function on the app to scan the gateway again and update the Wi-Fi network and password.

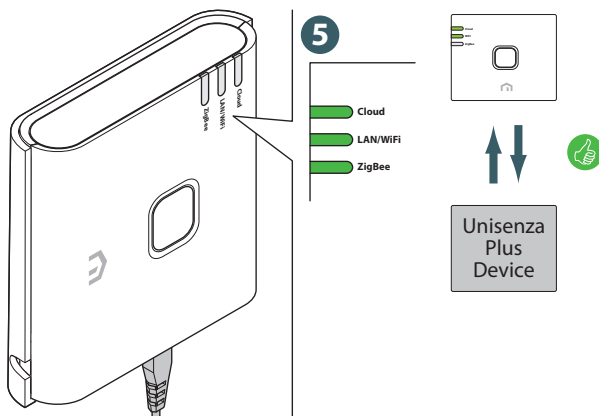
## Join Unisenza PLUS devices to the Gateway

### Using APP



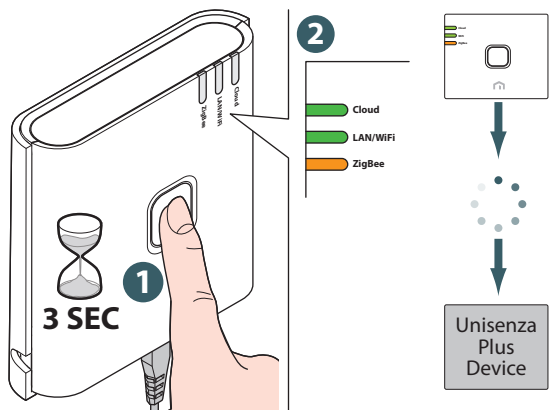
3 On Unisenza PLUS device, follow user guide instructions to enter joining mode.

4 Complete the joining process by following the on screen instruction from the App. After successfully joined to the **Gateway**, the device information is shown on App dashboard.



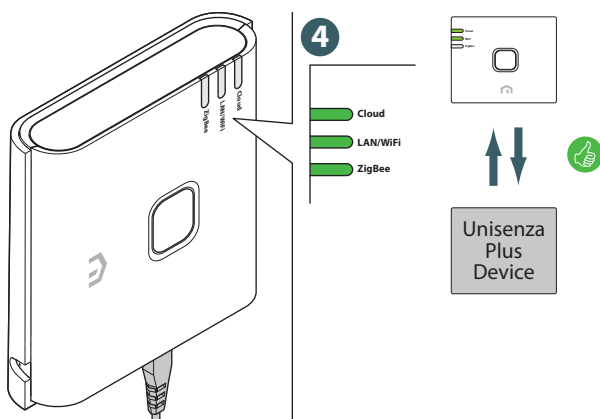


**Without APP**



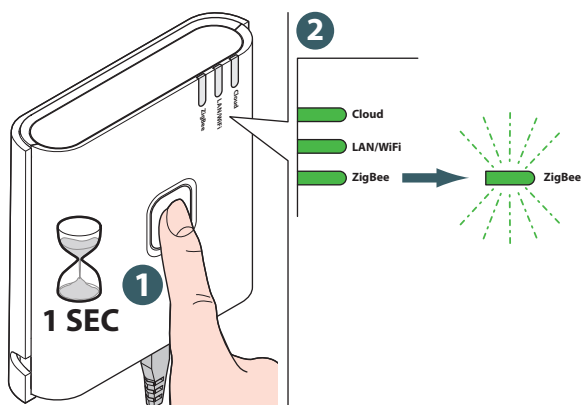
3 On Unisenza PLUS device, follow user guide instructions to enter joining mode.

Joining process begins..



To exit joining mode, press and hold Top Button for 3 seconds. Or the joining mode ends 15 minutes after any attempt of device joining.

**Unisenza PLUS devices identification**



3 The connected Unisenza PLUS device also entered their identification mode.

4 Press Top Button to exit after finished identification.

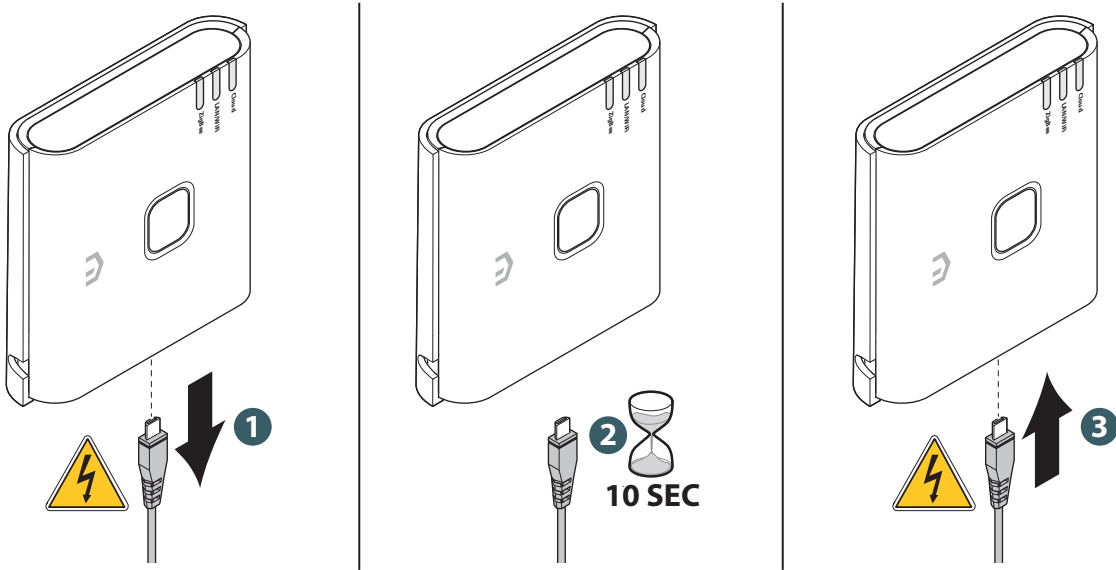
## 10 MAINTENANCE

### Over-the-air (OTA) firmware update

The Gateway checks the server for newer version of firmware once it is connected to the Internet. It downloads and updates the new firmware automatically.

### Power Cycle Reset

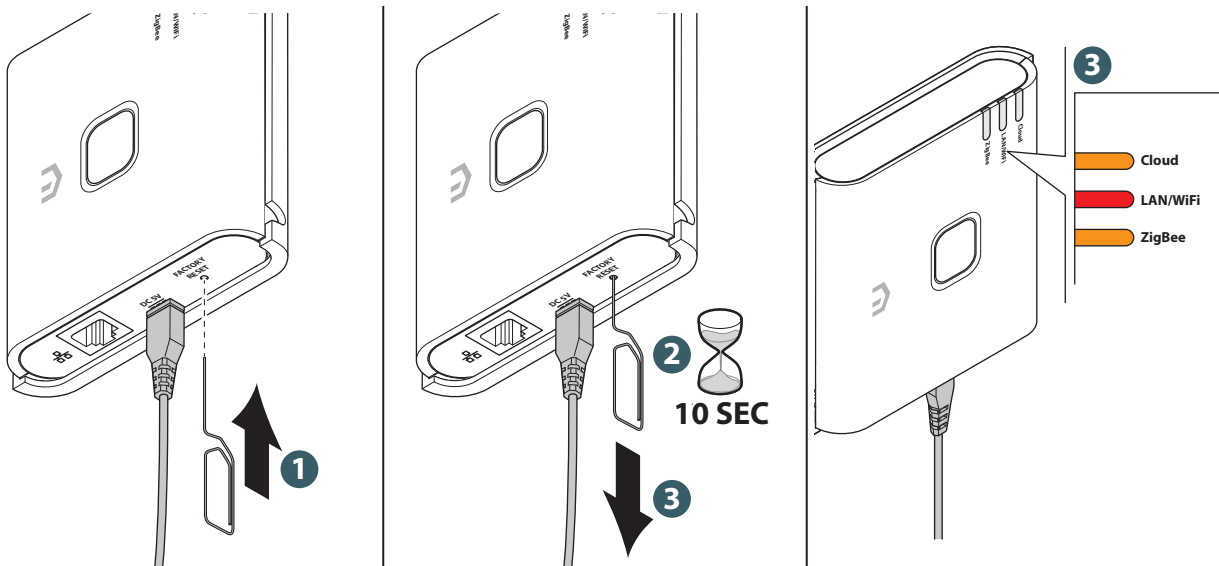
If for any reason the Gateway does not respond or requires a restart follow the procedure as below.



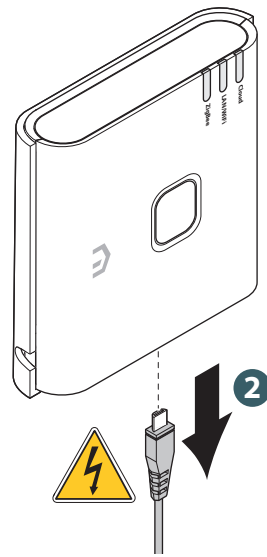
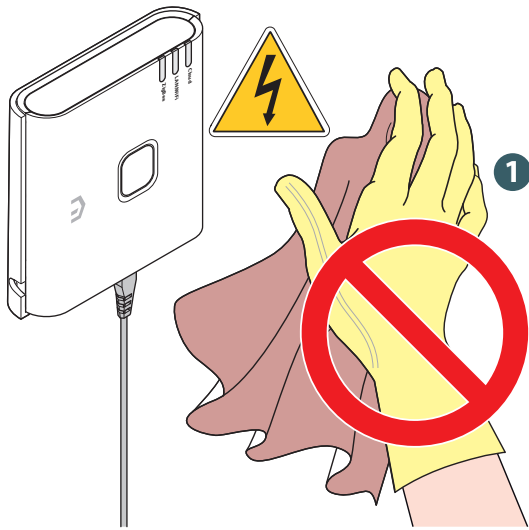
### Factory Reset



**Warning:** this process removes all settings including WiFi configuration, ZigBee network, joined devices and the registration to app user account.



# Cleaning



## 11 MANUAL DOWNLOAD AND UPDATES

Due to the requirement for continuous improvement, we constantly update the user manuals of our systems.

We therefore invite you to periodically check whether the manual in your possession is always the latest written version.

To do this, you can connect to the following **internet address**:

<https://www.purmogroup.com/support>

or by scan the **QR code** displayed below.



## 12 DISPOSAL AT THE END OF LIFE



Pursuant to art. 13 of Decree-Law No. 49 of 2014 "Implementation of the WEEE Directive 2012/19/EU on waste electrical and electronic equipment".

The mark of the crossed-out bin with a bar specifies that the product was placed on the market after 13 August 2005 and that at the end of its useful life it must not be collected with other waste but must be disposed of separately. All the appliances are made of recyclable metal materials (stainless steel, iron, aluminium, galvanized sheet metal, copper, etc.) in a percentage greater than 90% by weight. Make the equipment unusable for disposal by removing the power cable and any compartment or cavity closing device (if any). It is necessary to pay attention to the management of this product at the end of its life by reducing any negative impacts on the environment and improving the efficiency of the use of resources, applying the principles of "polluter pays", prevention, preparation for reuse, recycling and recovery. Please note that the illegal or incorrect disposal of the product entails the application of the penalties provided for by current legislation.

### Information on disposal in Italy

In Italy WEEE equipment must be delivered to:  
collection centres (also called waste separation areas or platforms)  
the Dealer where you buy new equipment, who is required to accept it free of charge ("one on one" collection).

### Information on disposal in European Union countries

The EU WEEE equipment directive has been adopted differently by each country, therefore if you want to dispose of this equipment we suggest you contact the local authorities or the dealer to ask for the correct method of disposal.







**A PURMO GROUP BRAND** 

Bulevardi 46  
P.O. Box 115  
FI-00121 Helsinki  
Finland  
[www.purmogroup.com](http://www.purmogroup.com)

Every care has been taken in the creation of this document. No part of this document may be reproduced without the express written consent of Purmo Group. Purmo Group accepts no responsibility for any inaccuracies or consequences arising from the use or misuse of the information contained herein.

