



**HERSCHEL<sup>®</sup>**  
PULSAR far infrared heaters

NOMINAL CAPACITY	PART NO.	ELEMENTS	FRAME
2.40 kW (4 x 600 W)	IRPULSAR-2400B	Four white glazed ceramic elements	Black coated mild steel body
2.00 kW (4 x 500 W)	IRPULSAR-2000W	Four white glazed ceramic elements	White coated mild steel body

TABLE 1	2.40 kW System	2.00 kW System
Rated Power	230V	230V
Rated Current	11.4	11.4
Fuse/Circuit Breaker Rating	16	16

#### INSTALLATION AND OPERATING INSTRUCTIONS

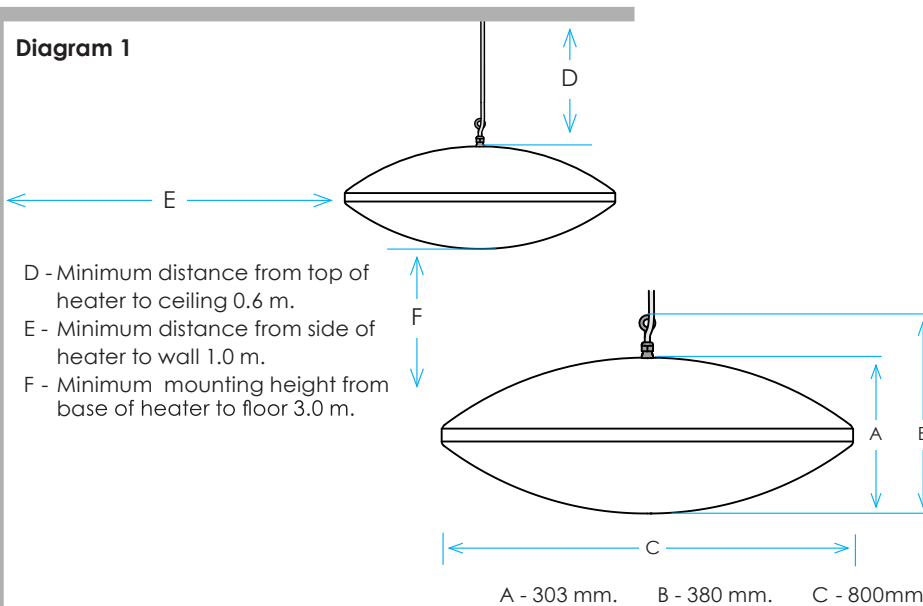
The Pulsar is a ceiling-mounted infrared heating unit designed for high ceiling installations/large spaces in constant use. Its striking appearance and heat efficiency make Pulsar ideal for commercial areas, shops, showrooms, sports facilities and public halls where effective, efficient heat is required, but where design is important too.

When installed in combination with modern control systems that turn the heating on just before it is required and off when you leave (or actually just before) Pulsar has successfully delivered significant cost-savings to clients compared with their existing systems (please enquire for case studies).

Each Pulsar unit produces effective, comfortable levels of heat for very low wattage. Due to the perfect radiant properties of the Pulsar design and the low wattage required by the ceramic elements to raise the surface temperature of the unit to 200°C 2400w Infrared in the Pulsar is adequate to heat a floorspace of 25m<sup>2</sup> from a height of 3m.

#### TECHNICAL DRAWING

**Diagram 1**



#### IMPORTANT

The Herschel PULSAR rises to very high temperatures in use and the unit (in particular the heater elements) must not be touched when power is applied. Do not place the emitting surface closer than 1m to any object or wall and sides and top no closer than 600mm from any surface or wall. Do not touch the front of the heater when it is on.

Elements remain hot for a considerable time and the unit should not be touched within a minimum of 30 minutes after the heater has been switched off. NEVER use the heater to ignite materials.



**HERSCHEL PULSAR**  
powered by **ceramicx**



4 Ceramicx FTE Ceramic Elements  
Unit size 303 x 380 x 800 mm  
Coated mild steel housing

**5**  
years  
guarantee

**CE**

**HERSCHEL®**  
PULSAR far infrared heaters

**IMPORTANT INFORMATION**

Please read the following information fully, as safe and reliable operation depends on correct installation. Please keep this instruction sheet for future reference.

The AC mains supply is dangerous and potentially lethal. Ensure the mains supply is switched off at the consumer unit (fuse box) before attempting any work on electrical circuits. Wiring to this unit must be connected in accordance with the relevant national electrical safety standards. This unit must only be installed by a competent and qualified electrician. This appliance must be earthed.

**ELECTRICAL INFORMATION**

The electrical supply to the unit should be provided by connecting to a circuit, which is protected by a fuse or miniature circuit breaker suitable for the electrical rating of the unit and in accordance with Table 1.

The supply to the Herschel Pulsar must be separately switched. Alternatively, a switched fused spur taken from a ring main can be used. The spur fuse should also be rated in accordance with the table. In either case the switch used to operate the Herschel Pulsar must be indoors and readily accessible

The cable used to connect to the existing wiring should be correctly rated solid core wiring cable. Please note that the use of flexible appliance cable with stranded conductors for permanent wiring (except for the final connection between a cable outlet and the fixed equipment) is prohibited by IEE wiring regulations. Where applicable, these regulations preclude the use of a 13A plug and socket for powering the Herschel Pulsar

For the final connection to the Herschel Pulsar, only the flexible cable and cable entry supplied with the unit must be used. The cable must connect to the supply in a suitable enclosure or cable outlet designed for that purpose. The cable outlet current carrying capacity must be greater than the recommended fuse current rating given in Table 1.

Suitable conduit or mechanical protection must be used through the wall to protect the cable from mechanical damage within the wall. The mounting position of the unit must ensure that any mechanical damage to the flexible cable is unlikely. If physical damage to the cable is possible, suitable conduit protection must be provided.

**OPERATIONAL POSITION**

The Herschel Pulsar must be located in a position to allow for proper and efficient use but one that ensures hot parts are not touched accidentally. When mounted the Herschel Pulsar should be at a height at which it can not be touched when in operation.

Consideration should be given to any temporary or occasional additions such as stages or platforms, and the height should be adjusted accordingly. The Herschel Pulsar should be firmly & permanently attached using the brackets fitted, with a minimum clearance of 600mm from top surface of heater and ceiling. Install heater so cable cannot make contact with top surface of heater. Any exposed flexible cable must have adequate clearance from the heater to prevent scorching or damaging the cable.

Note : Ensure bracket is attached to a solid surface capable of supporting the weight of the heater (28kg)

Check that the mains supply is switched off, and then provide the mains supply connection to the Herschel Pulsar using the specifications supplied.

The BROWN wire is to be connected to LIVE ('L'), the BLUE wire to NEUTRAL ('N') and the GREEN/YELLOW wire to EARTH ('E').

**GUARANTEE**

The Herschel Pulsar is guaranteed against failure due to faulty materials or workmanship for five years from date of purchase. In the unlikely event of failure of the unit within this time, the unit must be returned to the supplier for repair or replacement.

The Herschel Pulsar contains no customer usable parts. The guarantee is invalid if the correct installation instructions as given in this have not been adhered to.

**MAINTENANCE**

The Herschel Pulsar is maintenance free but to maintain appearance it should occasionally be cleaned all over with a soft dry cloth. No abrasive cloths or cleaners should be used and appliances such as pressure washers, steam cleaners, etc., should never be used. Cleaning should only be done when the unit is cold and switched off. All personnel cleaning and maintaining the unit must have suitable training and information to carry out the operation safely.

**IMPORTANT NOTICE TO PURCHASER**

Before utilizing the product, user should determine the suitability of the product for its intended use. HERSCHEL INFRARED LTD expressly disclaims the implied warranties and conditions of merchantability and fitness or a particular purpose. In no case shall HERSCHEL INFRARED LTD be liable under any legal theory, including but not limited to contract or strict liability, for any direct, indirect special, incidental or consequential damages resulting from product use.



distributed by: