

Quantum Hot Water Cylinder



Product Description

Quantum Hot Water Cylinders are a high heat retention and high efficiency electrically heated cylinder. This allows low cost, low carbon electric water heating that can work with a demand side management system to minimise running costs and align charging periods with off peak and cheap electricity. All Quantum cylinders feature RF connectivity and can be controlled remotely when connected to a DimplexHub.

Key Features

- G3 compliant and KIWA approved duplex stainless steel cylinder. Designed for use in an all-electric property with off-supply or for use with the future smart grid (additional components required)
- Programmable 24 hour charge profile with four separate charging windows
- Intuitive ergonomically designed controls with an easy to read display.
- User controlled water temperature
- With user controlled boost immersion for rapid re-heat
- Factory fitted with 60mm of CFC/HCFC free foam insulation for unrivalled heat retention
- Completely void free insulation even around immersions and thermostats
- Pre-wired immersion heaters and sensors for easy installation
- 25 years parts and labour guarantee on the cylinder vessel (2 years other components)
- All connections accessible from the front for easy installation and maintenance

Warranty and Approvals

Approvals	KIWA & CE (Water and building regulations compliant)
UK Guarantee	<ul style="list-style-type: none"> • 25 year guarantee inner cylinder • 2 years immersion (excluding effects from water borne contaminants) • 2 years for all other components (excluding the expansion vessel)

Internet Connectivity

App Platform	Dimplex Control
Connectivity Method	RF 868Mhz (Included)
Additional Hardware	Requires 1 x 'DimplexHub'

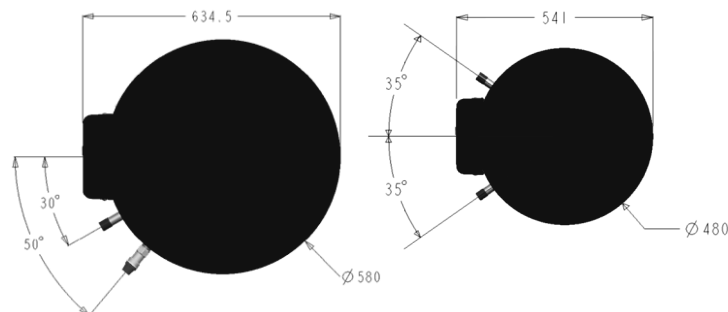


Use of Dimplex control is Control is subject to agreement of the GDHV Internet of Things (IoT) [Terms and Conditions](#), [Privacy Policy](#) and [Cookie Policy](#).

Technical Details

Controls	<ul style="list-style-type: none"> • Setpoint temperature range of 40 - 65°C • Temperature is digitally controlled and measured with temperature probes that are precise to 0.2°C • Single day programmable timer available in standalone mode • Has holiday mode, hygiene mode and boost mode controls
Controller UI	<ul style="list-style-type: none"> • Graphical display with RGB backlight • Capacitive buttons with tactile feedback • User replaceable battery (Coin-Type)
Controller Functions	<ul style="list-style-type: none"> • Automatic charge control • History/reporting screens for energy usage • User controlled boost function • User controlled charge profile • Current and past temperature information • Controller child lock
Safety Features	<ul style="list-style-type: none"> • Hygiene function to stop growth of legionella bacteria • All immersions will shutdown if temperature exceeds 80 degrees • If a temperature probe stops working the boost immersion will be disabled and an error message is displayed on the UI
Colour/ Finish	<ul style="list-style-type: none"> • Black Cladding / Matted grey finish on metal cover
Battery Backup	3.3V coin cell battery to backup real time clock - Battery life > 5 years
Supply	<ul style="list-style-type: none"> • 1/N/PE 230-240V / 50Hz (Peak / Off Peak) Class II • Permanent supply (Peak supply) • Switched supply (Off Peak supply)
Immersion Heaters	1½ F BSP 3kW (x 2)
IP Rating	IPX4

Dimensions and Output



Model Code (Item No.) EAN Code 5011139 (+ the Item No.)	QWCD125-580RF (081858)	QWCD135-480RF (081865)	QWCD135-480RF (081872)	QWCD150-580RF (081889)	QWCD180-480RF (081896)	QWCD210-580RF (081902)	QWCD250-580RF (081919)	QWCD300-580RF (081926)
Output (kW)	3	3	3	3	3	3	3	3
Cylinder Capacity (L)	125	135	150	180	210	250	300	300
Max Capacity (kWh)	7.927	8.561	9.512	11.415	13.317	15.854	19.024	19.024
Water Volume (L)	125	135	150	180	210	250	300	300
T&P Valve* (mm)	720	1180	890	1535	1265	1540	1840	1840
Height (mm)	945	1387	1115	1760	1490	1765	2065	2065
Diameter (mm)	580	480	580	480	580	580	580	580
Empty Weight (kg)	24	25	27	30	34	42	48	48
Packed Height (mm)	1260	1590	1440	1590	1930	2100	2200	2200
Packed Width (mm)	590	650	590	650	620	590	600	600
Packed Depth (mm)	600	600	600	600	590	600	590	590
Packed Weight (kg)	41	38.6	44.5	44.1	52.2	61	59.2	59.2
Ti /Hi	1/1	1/1	1/1	1/1	1/1	1/1	1/1	1/1
Pallet Quantity (2.4m high)	1	1	1	1	1	1	1	1

*Only applicable to unvented